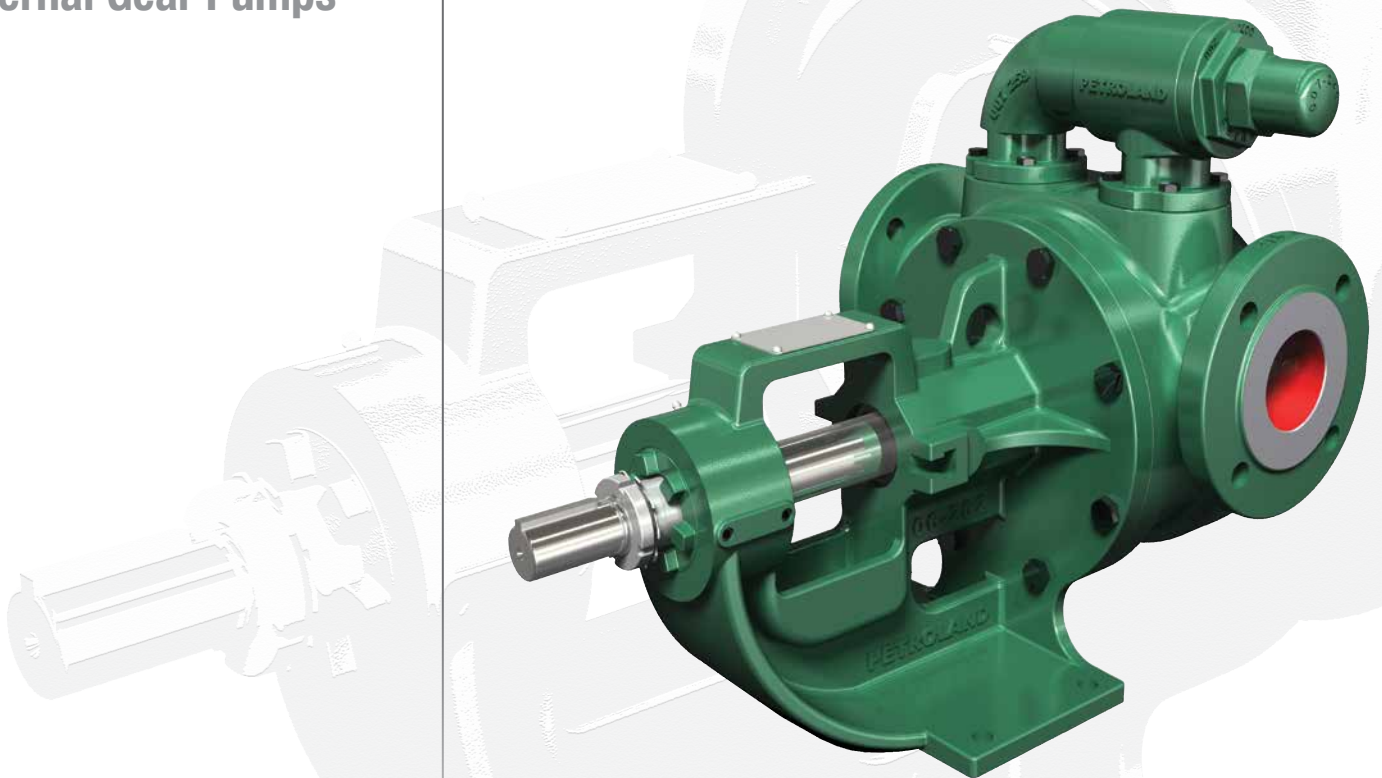




## PD SERIES Internal Gear Pumps



# WITHOUT BRACKET DESIGN



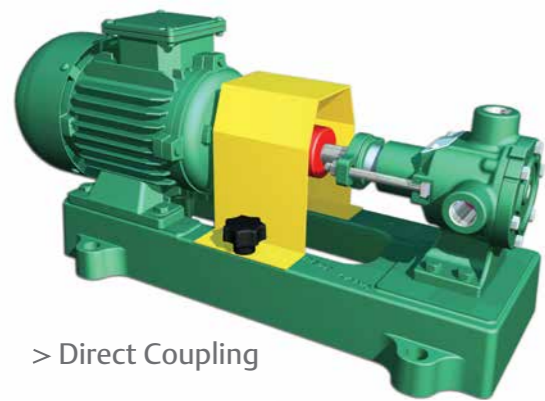
- Max. Capacity: 26 m³/h
- Max. Viscosity: 2.500 cSt
- Max. Differential Pressure: 7 bar
- Temperature Range: -20°C to +180°C

## FEATURES:

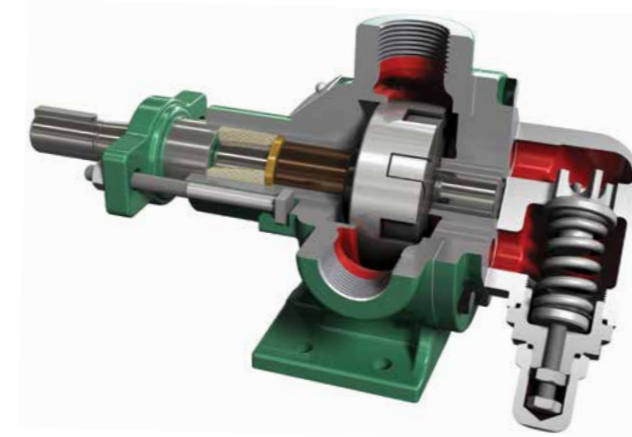
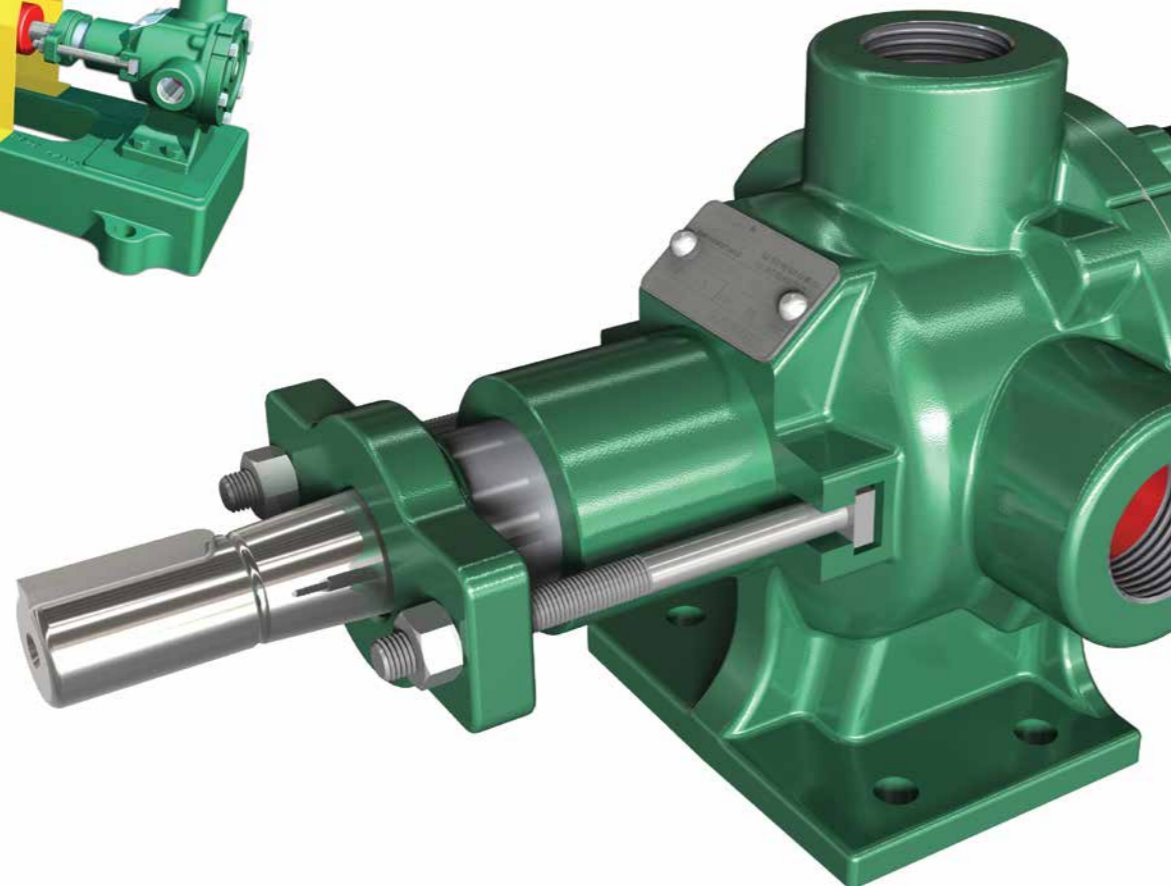
- > Applications variety with 8 different case size
- > Can be apply many different material option (cast iron, ductile iron, steel or stainless steel)
- > Operating low and medium viscosity
- > Self-priming is up to 720mbar
- > No need gearbox for low viscosity applications
- > The pump design is suitable for lip seal, packing gland and mechanical seal
- > It is economical solution with direct coupling

## OPTIONS:

- > Heating / Cooling jacket can be applied to cover
- > Relief Valve can be applied to pump cover
- > Connection type options BSP & NPT threaded connection



> Direct Coupling



> The Cutted Way with Relief Valve



> The Cover Jacketed

## CODE SYSTEM

AS	6	122	G	1	B	V
<b>Model</b>	<b>Sealing</b>	<b>Construction</b>	<b>Connection</b>	<b>Casing Mat.</b>	<b>Bushing</b>	<b>By-Pass</b>
AS	- : Packing Gland	122 - Standard	G: BSP	1 : Cast Iron	B: Bronze	- : No Relief Valve
A	6 : External Mechanical	132 - Cover Jacketed	N: NPT	2 : Ductile Iron	K: Carbon Graphite	V: Relief Valve on Cover
GL	9 : Lip Seal			3 : Steel	T: Tungsten	
FL				4 : Stainless Steel		
J						
JL						
K						
KL						

Model	Inlet / Outlet Size		Capacity (at Max. Speed)		Max. Speed (rpm)	Max. Differential Pressure	
	Inch	mm	m³/h	GPM		PSI	Bar
AS	½"	15	0.7	3	1750	100	7
A	¾"	20	1.5	6.5			
GL	1"	25	3.5	15			
FL	1 ½"	40	7	30	1150	100	7
J	2"	50	11	50			
JL	2"	50	17	75	900	100	7
K	2"	50	19	85			
KL	2"	50	26	115			

Note: The connection ports are available only BSP / NPT threaded connections.



> Spare Part List

# WITH BRACKET DESIGN



Max. Capacity: 390 m<sup>3</sup>/h



Max. Viscosity: 450.000 cSt



Max. Differential Pressure: 14 bar



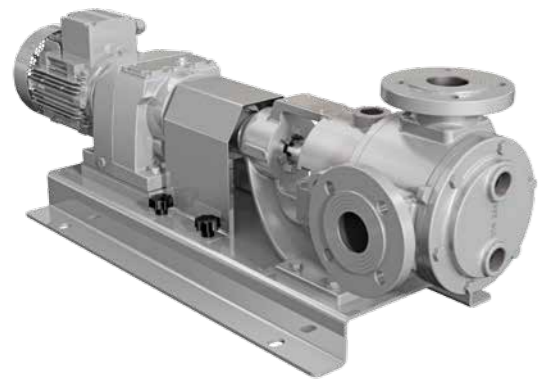
Temperature Range: -50°C to +350°C

## FEATURES

- > Applications variety with 19 different case size
- > Can be apply many different material option (cast iron, ductile iron, steel or stainless steel)
- > Operating wide range of viscosity
- > Self-priming is up to 720mbar
- > The pump design is suitable for every type of seal (Special design, lip seal, packing gland, single mechanical seal, double mechanical seal)

## OPTIONS

- > Heating / Cooling jackets can be applied to cover, case or bracket
- > Relief Valve can be applied to pump cover
- > Connection type options, ANSI&DIN Flanged connection or BSP&NPT threaded connection

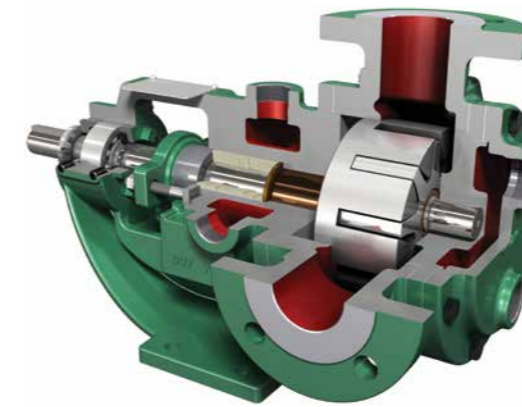


> Food Series (With Jacketed)



## CODE SYSTEM

H		5		222		F		1		B		V		
Design	Sealing	Construction		Connection		Casing Mat.		Bushing		By-Pass				
B	M	- : Packing Gland	222 : Standard		G : BSP		1 : Cast Iron		B : Bronze		- : No Relief Valve			
CL	ML	4 : Special Design	232 : Cover Jacketed		N : NPT		2 : Ductile Iron		K : Carbon Graphite		V : Relief Valve on Cover			
H	N	5 : Internal Mechanical	242 : Casing Jacketed		F : DIN Flange		3 : Steel		T : Tungsten		W : Relief Valve Jacketed on Cover			
HL	NL	6 : External Mechanical	252 : Bracket Jacketed		A : ANSI Flange		4 : Stainless Steel							
HM	P		262 : Cover & Bracket Jacketed											
J	R		272 : Bracket & Cover Jacketed											
JL	Z		282 : Bracket & Casing Jacketed											
K	ZL		292 : Cover & Bracket & Casing Jacketed											
KL														
S														
SL														



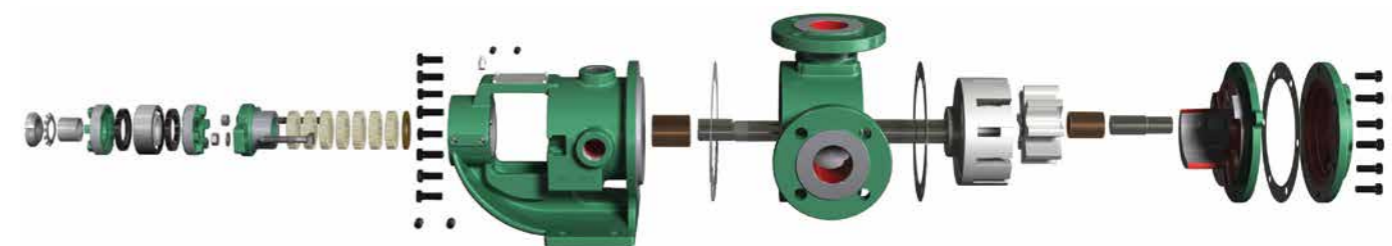
> The Cover & Bracket Jacketed Cutted Way



With Relief Valve Threaded Connection Ports

Model	Inlet / Outlet Size		Capacity (at Max. Speed)		Max. Speed (rpm)	Max. Differential Pressure									
	Inch	mm	m <sup>3</sup> /h	GPM		PSI	Bar								
B	1"	25	2.4	10	1750	200	14								
CL	1"	25	3.5	15											
H	1 ½"	40	3.5	15											
HM	1 ½"	40	5	22											
HL	1 ½"	40	7	30	1150			200	14						
J	2"	50	11	50											
JL	2"	50	17	75	900					200	14				
K	2"	50	19	85											
KL	2"	50	26	115	750							200	14		
S	2 ½"	65	36	160											
SL	2 ½"	65	52	230	500	200	14								
M	3"	80	52	230											
ML	3"	80	65	290	400									200	14
N	4"	100	65	290											
NL	4"	100	113	495	300			200	14						
P	5"	125	120	525											
R	6"	150	157	695	125					200	14				
Z	8"	200	267	1180											
ZL	10"	250	390	1720	8.5							200	14		

Note: B and CL model pumps are with only threaded connection. Between H and M models are with threaded or flange connection. Between ML and ZL models are with only flange connection.



> Spare Part List

# IN-LINE DESIGN



Max. Capacity: 390 m³/h



Max. Viscosity: 450.000 cSt



Max. Differential Pressure: 14 bar



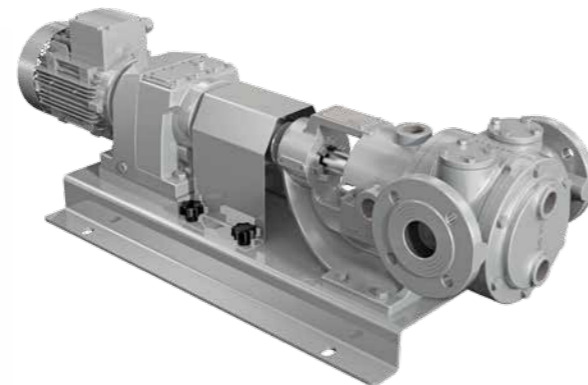
Temperature Range: -50°C to +350°C

## FEATURES:

- > Applications variety with 17 different case size
- > Can be apply many different material option (cast iron, ductile iron, steel or stainless steel)
- > Operating wide range of viscosity
- > Self-priming is up to 720mbar
- > The pump design is suitable for every type of seal (Special design, lip seal, packing gland, single mechanical seal, double mechanical seal)

## OPTIONS:

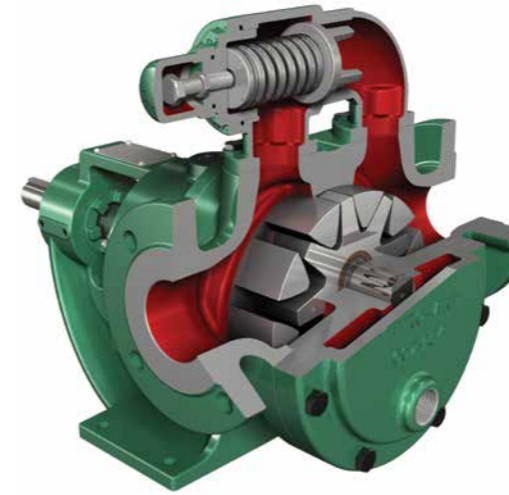
- > Heating / Cooling jackets can be applied to cover, case or bracket
- > Relief Valve can be applied to pump cover
- > Connection type options ANSI&DIN Flanged connection



> Food Series (With Jacketed)

## CODE SYSTEM

	H	5	422	F	1	B	V
<b>Model</b>	M						
<b>Sealing</b>	-: Packing Gland						
<b>Construction</b>	422: Standard						
<b>Connection</b>	F: DIN Flange						
<b>Casing Mat.</b>	1: Cast Iron						
<b>Bushing</b>	B: Bronze						
<b>By-Pass</b>	-: No Relief Valve						
	HM: ML 4: Special Design						
	HL: N 5: Internal Mechanical						
	J: NL 6: External Mechanical						
	JL: P						
	K: R						
	KL: Z						
	S: ZL						
	SL						



> Cutted Way with Relief Valve on Casing (with Jacketed)



> Relief Valve on Cover

Model	Inlet / Outlet Size		Capacity (at Max. Speed)		Max. Speed (rpm)	Max. Differential Pressure	
	Inch	mm	m³/h	GPM		PSI	Bar
H	1 ½"	40	3.5	15	1750	200	14
HM	1 ½"	40	5	22			
HL	1 ½"	40	7	30			
J	2"	50	11	50	1150		
JL	2"	50	17	75			
K	2"	50	19	85	900		
KL	2"	50	26	115			
S	2 ½"	65	36	160	750		
SL	2 ½"	65	52	230			
M	3"	80	52	230	500		
ML	3"	80	65	290			
N	4"	100	65	290			
NL	4"	100	113	495	400		
P	5"	125	120	525			
R	6"	150	157	695	300		
Z	8"	200	267	1180			
ZL	10"	250	390	1720			
						125	8.5

Note: In-Line design pumps are only with flange connection.



> Spare Part List

# MONOBLOCK DESIGN

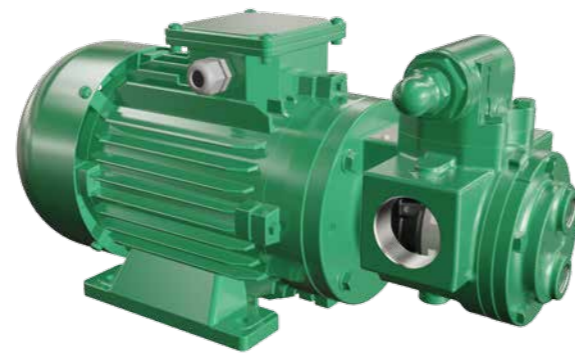
- Max. Capacity: 17 m³/h
- Max. Viscosity: 2.500 cSt
- Max. Differential Pressure: 10 bar
- Temperature Range: -20°C to +180°C

### FEATURES:

- > Applications variety with 6 different case size
- > Can be apply many different material option (cast iron, ductile iron, steel or stainless steel)
- > Operating low and medium viscosity
- > Self-priming is up to 720mbar
- > It requires less space in order to design
- > The pump design is suitable for lip seal and mechanical seal
- > It is economical solution with direct coupling

### OPTIONS:

- > Heating / Cooling jacket can be applied to cover
- > Relief Valve can be applied to pump cover or casing
- > Connection type options, ANSI&DIN Flanged connection or BSP&NPT threaded connection.



> Cover Jacketed, Relief Valve on Casing



> The Cutted Way with Relief Valve on Casing

### CODE SYSTEM

<b>H</b>	<b>5</b>	<b>722</b>	<b>F</b>	<b>1</b>	<b>B</b>	<b>V</b>
<b>Model</b>	<b>Sealing</b>	<b>Construction</b>	<b>Connection</b>	<b>Casing Mat.</b>	<b>Bushing</b>	<b>By-Pass</b>
B	5: Internal Mechanical	722: Standard	G: BSP	1: Cast Iron	B: Bronze	- : No Relief Valve
H	9: Lip Seal	732: Cover Jacketed	N: NPT	2: Ductile Iron	K: Carbon	V: Relief Valve on Cover
HM			F: DIN Flange	3: Steel	Graphite	X: Relief Valve on Casing
HL			A: ANSI Flange	4: Stainless Steel	T: Tungsten	
J						
JL						

Model	Inlet / Outlet Size		Capacity (at Max. Speed)		Max. Speed (rpm)	Max. Differential Pressure	
	Inch	mm	m³/h	GPM		PSI	Bar
B	1"	25	2.4	10	1750	140	10
H	1 ½"	40	3.5	15			
HM	1 ½"	40	5	22			
HL	1 ½"	40	7	30			
J	2"	50	11	50	1150	140	10
JL	2"	50	17	75			

# HIGH SPEED DESIGN



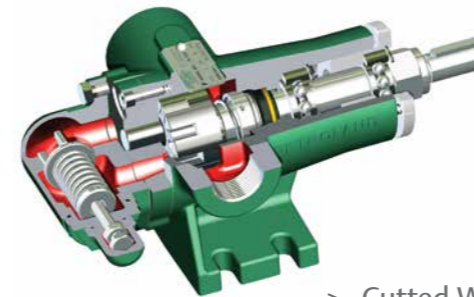
- Max. Capacity: 17 m³/h
- Max. Viscosity: 2.500 cSt
- Max. Differential Pressure: 14 bar
- Temperature Range: -20°C to +180°C

### FEATURES:

- > Applications variety with 6 different case size
- > Can be apply different material option (cast iron and ductile iron)
- > Operating low and medium viscosity
- > Self-priming is up to 720mbar
- > The pump design is suitable for only mechanical seal
- > It is economical solution with direct coupling

### OPTIONS:

- > Relief Valve can be applied to pump cover
- > Connection type option is with BSP&NPT threaded connection



> Cutted Way with Relief Valve on Cover



> Relief Valve on Cover (Direct Coupling)

### CODE SYSTEM

<b>TL</b>	<b>522</b>	<b>G</b>	<b>1</b>	<b>B</b>	<b>V</b>
<b>Model</b>	<b>Construction</b>	<b>Connection</b>	<b>Casing Mat.</b>	<b>Bushing</b>	<b>By-Pass</b>
TL	522: Standard	G: BSP	1: Cast Iron	B: Bronze	- : No Relief Valve
H		N: NPT	2: Ductile Iron	K: Carbon	V: Relief Valve on Cover
HM				Graphite	
HL				T: Tungsten	
J					
JL					

Model	Inlet / Outlet Size		Capacity (at Max. Speed)		Max. Speed (rpm)	Max. Differential Pressure	
	Inch	mm	m³/h	GPM		PSI	Bar
TL	1"	25	2.4	10	1750	200	14
H	1 ½"	40	3.5	15			
HM	1 ½"	40	5	22			
HL	1 ½"	40	7	30			
J	2"	50	11	50	1150	200	14
JL	2"	50	17	75			